

Automated Sensor Maintenance For Process Consistency



Reliable Process Control

Automated sensor maintenance with the EasyClean 500 and ISM's predictive diagnostics ensure reliable measurements and process consistency.



Up to 80 % Lower Maintenance

The only technician intervention on an EasyClean 500 system is periodic refilling of cleaning and buffer solutions, plus occasional sensor exchanges.



Keeps Employees Safe

Automated maintenance limits personnel's exposure to health-hazardous environments, helping to keep them safe.



For High-Maintenance Measurement Points

Some maintenance-intensive measurement points in harsh process conditions are too expensive to operate. The EasyClean 500 cleans the sensors automatically as often as required, making such measurement points economically viable.



EasyClean 500(X) Automated Sensor Cleaning and Calibration

EasyClean 500(X) is a compact cleaning and calibration system for fully automated routine maintenance of process analytical sensors. The EasyClean 500(X) uses Intelligent Sensor Management (ISM™) predictive diagnostics to automate and optimize the cleaning and calibration of pH, ORP, or oxygen sensors – for reliable measurements without human intervention. EasyClean 500(X) is a versatile solution that offers extensive customization options and multiple control possibilities, allowing users to tailor the unit to their specific needs.

Discover EasyClean 500(X) at

▶ www.mt.com/EC500

Technical Data of the EasyClean 500(X)

Specifications	
Operating Pressure for Retractable Housing	0.4 ~ 0.8 MPa (4 ~ 8 bar; 58 ~ 116 psi)
Protection Rating	IP65
Rinsing Water Supply	0.2 ~ 0.6 MPa (2 ~ 6 bar; 29 ~ 87 psi)
Temperature Range	2 °C – 65 °C, 90 °C as an option
Rinsing	Yes
Cleaning	Yes
Calibration	Yes
Compressed Air Supply	0.4 ~ 1 Mpa (4 ~ 10 bar; 58 ~ 145 psi)
Parameter(s)	pH/ORP/DO
Canister	4 L
Ambient Temperature	2 °C – 55 °C
Power	15V ~ 30 V/100mA, Safety barrier required for Ex version
Mounting	Wall mounting, Pipe mounting (option)
Communication Protocol	HART (via transmitter)
Enclosure Material	316L stainless steel
Certificates and Approvals	ATEX II 2(1) G / IECEx Ex ib; cCSAus Class I, Zone 0, AEx; NEPSI Ex; FM Class I, Zone 0 (Q2 2025)



Ordering Information

EasyClean	Order Nr.
EasyClean 500	30 900 558
EasyClean 500X	30 900 560

Transmitter	Order Nr.
M400 2XH Type 2	30 655 901
M400 2H Type 2	30 655 902
M400 2XH Type 2 ISM	30 655 903
M400 2H Type 2 ISM	30 655 904
M400 2XH Type 3 ISM	30 655 905
M400 2XH Type3 ISM	30 655 908

Housing	Order Nr.
InTrac 77XP	Refer to housing's order information

Calibration Supplies	Order Nr.
Buffer pH 4.01, 5000 ml	51 319 012
Buffer pH 7.00, 5000 ml	51 319 016
Buffer pH 9.21, 5000 ml	51 319 017

EasyClean 500(X) Services	Order Nr.
Setup Standard Configuration	S39905182
ExtendedCare	B39950001
Basic Preventive Maintenance	S39905130
Full Preventive Maintenance	S39905133
Solution Consultation	S39905100



Non-Ex EasyClean 500: [▶ www.mt.com/EC500](http://www.mt.com/EC500)

ISM is a trademark of the METTLER TOLEDO Group.
All other trademarks are the property of their respective owners.



Ordering information for customizable configuration

Configure your EasyClean 500(X) as following:

Control Unit* (with wall mounting)	Order Nr.
Ex version	30 944 327
Non-Ex version	30 944 386
Media connection* (incl. the cables for proximity switches and a multiplug to housing)	
Media connection*	Order Nr.
Cable 2.1 m	30 973 995
Cable 5 m	30 900 571
Cable 10m	30 900 572
Pipe-mount	
Pipe-mount	Order Nr.
Pipe-mount kit for control box and media adapter	30 900 566
Cable* (from transmitter to control unit)	
Cable*	Order Nr.
2 m	30 946 518
10m	30 924 524
High temperature Rinsing	
High temperature Rinsing	Order Nr.
High-temp rinsing box	30 944 378
Number of Pumps* (including a Media Adapter)	
Number of Pumps*	Order Nr.
1 dosing pump and 1 canister, Non-Ex	30 944 379
2 dosing pumps and 2 canisters, Non-Ex	30 944 380
3 dosing pumps and 3 canisters, Non-Ex	30 944 381
1 dosing pump and 1 canister, Ex	30 944 382
2 dosing pumps and 2 canisters, Ex	30 944 383
3 dosing pumps and 3 canisters, Ex	30 944 384

* An EasyClean 500(X) consists of these components

Customizable Order Example:

Requirements

- Ex version control unit
- 5 m media connection
- 10 m cable between transmitter and control unit
- 2 dosing pumps and 2 canisters, Ex)

Item	Order number
EasyClean 500X control unit	30 944 327
Media connection 5 m (with proximity switches)	30 900 571
Cable, 10m (transmitter to control unit)	30 924 524
2 dosing pumps and 2 canisters, Ex	30 944 383

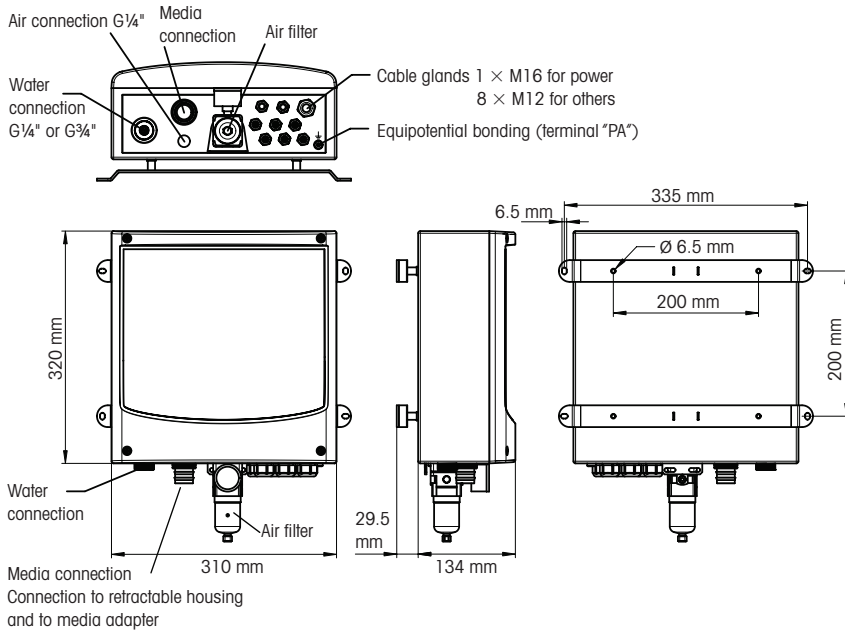
EasyClean 500(X) Spare Parts

Description	Order Nr.
Pipe-mount kit for Control box and media adapter	30 900 566
2.1 m media connection with multiplug (proximity switches not included)	30 973 994
5 m media connection with multiplug (proximity switches not included)	30 900 567
10 m media connection with multiplug (proximity switches not included)	30 944 385
Dosing pump Ex Version	30 900 574
Dosing pump Non-Ex Version	30 900 575
Media adapter	30 782 822
Canister (4 L)	30 900 577
Inductive position switch, Ex	30 900 578
Air filter kit for control unit	30 900 568

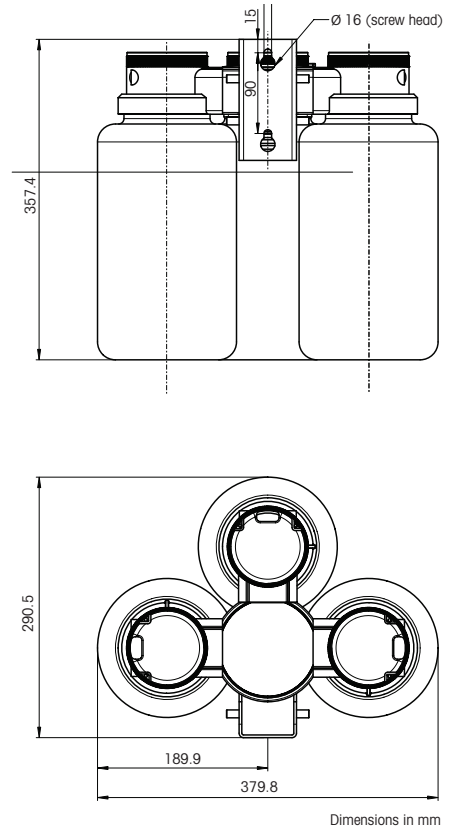
EasyClean 500(X)

Dimensional Drawings

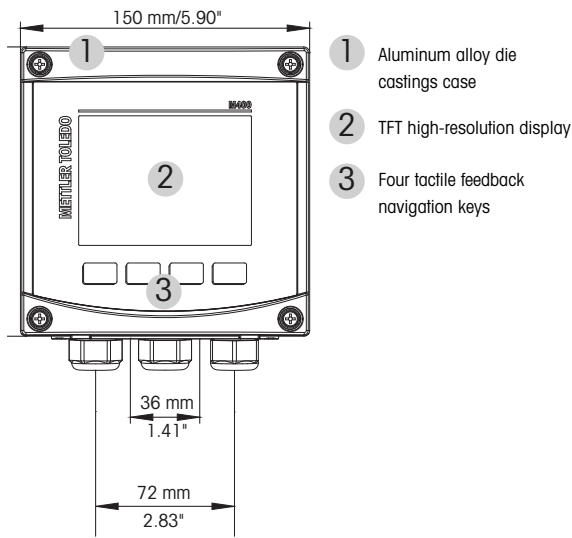
Dimension of control unit wall mounting



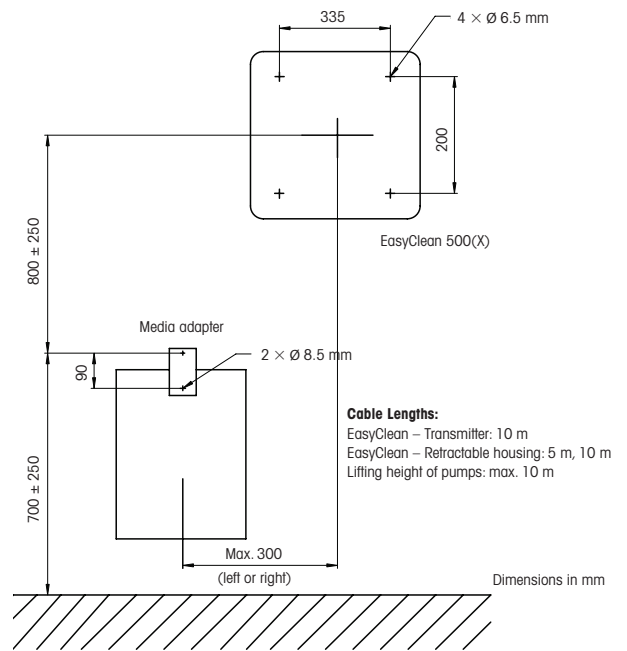
Media adapter with dosing pumps



1/2 DIN case size of M400 transmitter



Arrangement of components



METTLER TOLEDO Group
 Process Analytics
 Local contact: www.mt.com/contacts



Subject to technical changes.
 © 06/2024 METTLER TOLEDO. All rights reserved.
 PA2190en A
 MarCom Urdorf, Switzerland

www.mt.com/pro

For more information