

# InPro® 4260

The combination pH electrodes with built-in temperature sensor for higher performance

## Technical Data



InPro 4260

### Short description

METTLER TOLEDO's combination pH electrode with built-in temperature sensor InPro 4260 is designed for highly demanding chemical processes. This electrode offers enhanced performance and a wider application field, especially in harsh chemical processes, due to a new composition of the polymer reference system as a successor to the XEROLYT® polymer.

The electrode InPro 4260, with the new XEROLYT® EXTRA, provides the following advantages:

- Insensitive to flow variations.
- Especially adapted for low ionic content media and organic solvents.
- Particularly insensitive to anionic salt contents as nitrate, sulfate, carbonate.
- High-performance measurement over a wider pH range, pH 0...14
- Increased electrode lifetime in the presence of organic solvents, acids and alkalis
- Low maintenance pH electrode-no refilling of electrolyte
- Integrated temperature sensor now positioned inside the glass membrane part offers increased performance
- Open junction between sample medium and reference electrolyte (no diaphragm – no clogging) allows reliable measurements in heavily contaminated process media, in suspensions and emulsions, and in solutions containing protein
- Particularly efficient in sulfide-bearing media
- VarioPin (VP) connector (IP 68)
- Greater reliability due to a more voluminous glass membrane shape, impedes formation of disturbing air bubbles in the inner buffer
- Ex certification: II 1/2G EEx ia IIC/T6/T5/T4, SNCH 00 ATEX 3130X
- According to PED (Pressure Equipment Directive, 97/23/EC, Art. 3, Sec. 3)

## Contents

Specifications	2
Ordering information	2
pH electrodes	2
Cables	2
Buffer solutions	2
Compatibility with METTLER TOLEDO transmitters	3
Drawings	3

**METTLER TOLEDO**

Specifications

Measuring range	pH 0 ... 14
Temperature	0 ... 130 °C (32 ... 266 °F) Reduced lifetime and performance at temperatures over 110 °C/230 °F
Pressure resistance	16 bar (25 °C), 8 bar (130 °C) 232 psi (77 °F), 116 psi (266 °F) according to PED (Pressure Equipment Directive, 97/23/EC, Art. 3, Sec. 3)
Reference system	XEROLYT® EXTRA (patented solid polymer), incl. KCl
Diaphragm	Open junction with direct contact with medium
Glass shaft	∅ 12 mm
Plug head	VarioPin (VP), Pg 13.5 thread
VP connector	IP 68

Ordering information

pH electrodes

	Electrode length [a]	Order no.	Temperature Sensor	Suitable housings
InPro 4260/120	120 mm	52 002 986	Pt 100	InFit 761e/762e
InPro 4260/120	120 mm	52 002 987	Pt 1000	InFit 761e/762e
InPro 4260/225	225 mm	52 002 988	Pt 100	InTrac 777e
InPro 4260/225	225 mm	52 002 989	Pt 1000	InTrac 777e
InPro 4260/425	425 mm	52 002 992	Pt 100	InTrac 777e
InPro 4260/425	425 mm	52 002 993	Pt 1000	InTrac 777e

Cables (open ends)

Standard temperature (-30 to 80 °C / -22 to +76 °F)	Order no.
VP6-ST/3 m (9.8 ft)	52 300 108
VP6-ST/5 m (16.4 ft)	52 300 109
VP6-ST/10 m (32.8 ft)	52 300 110

High temperature

(-30 to 135 °C / -22 to +275 °F)	Order no.
VP6-HT/3 m (9.8 ft)	52 300 112
VP6-HT/5 m (16.4 ft)	52 300 113
VP6-HT/10 m (32.8 ft)	52 300 114

Buffer solutions

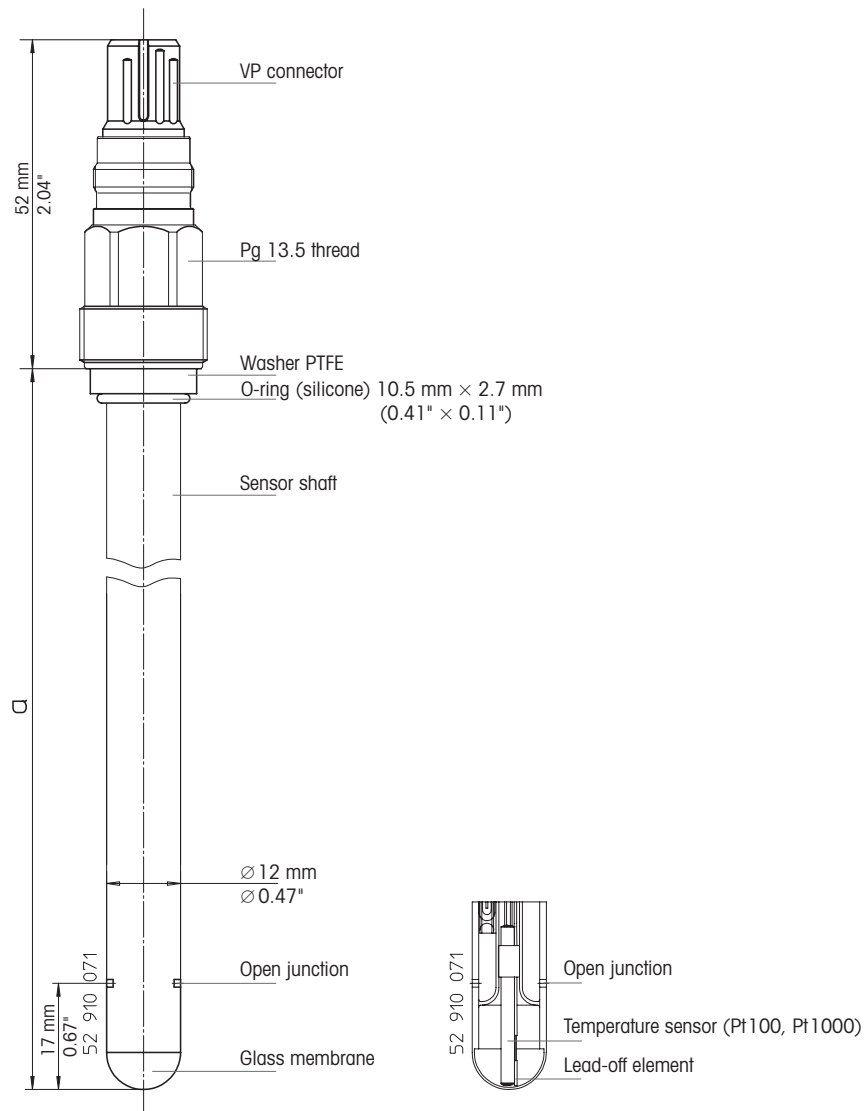
	Order no. 1 × 250 ml	Order no. 6 × 250 ml	Order no. 1 × 1000 ml
<b>pH buffer solution</b>			
Buffer pH = 4.01 (red)	51 340 057	51 340 058	51 340 228
Buffer pH = 7.00 (green)	51 340 059	51 340 060	51 340 229
Buffer pH = 9.21 (blue)	51 300 193	51 300 194	51 340 230
<b>Reference electrolyte</b>			
Friscolyt™	51 340 053		

Transmitters

A wide range of transmitters can be offered to complete the Mettler-Toledo Ingold measurement system, including a 4-wire version for universal AC/DC power supply, or alternatively in 2-wire versions, with or without HART® or PROFIBUS® communication, of standard or explosion-proof (Ex) design.

Drawings

InPro 4260



## METTLER TOLEDO Market Organizations

### Sales and Service:

#### Australia

Mettler-Toledo Ltd.  
220 Turner Street  
Port Melbourne  
AUS - 3207 Melbourne/VIC  
Phone +61 31300 659 761  
Fax +61 3 9645 3935  
e-mail mfausprocess@mt.com

#### Austria

Mettler-Toledo GmbH  
Südrandstrasse 17  
AT - 1230 Wien  
Phone +43 1 604 19 80  
Fax +43 1 604 28 80  
e-mail infoprocess.mt@mt.com

#### Brazil

Mettler-Toledo Ind. e Com. Ltda.  
Alameda Araguaia  
451 - Alphaville  
BR - 06455-000 Barueri/SP  
Phone +55 11 4166 74 00  
Fax +55 11 4166 74 01  
e-mail sales@mettler.com.br  
service@mettler.com.br

#### China

Mettler-Toledo Instruments  
(Shanghai) Co. Ltd.  
589 Gui Ping Road  
Cao He Jing  
CN - 200233 Shanghai  
Phone +86 21 64 85 04 35  
Fax +86 21 64 85 33 51  
e-mail mtfcs@public.sta.net.cn

#### Croatia

Mettler-Toledo d.o.o.  
Mandlova 3  
HR - 10000 Zagreb  
Phone +385 1 292 06 33  
Fax +385 1 295 81 40  
e-mail mf.zagreb@mt.com

#### Czech Republic

Mettler-Toledo spol s.r.o.  
Trebohosticka 2283/2  
CZ - 100 00 Praha 10  
Phone +420 2 72 123 150  
Fax +420 2 72 123 170  
e-mail sales.mtcz@mt.com

#### Denmark

Mettler-Toledo A/S  
Naverland 8  
DK - 2600 Glostrup  
Phone +45 43 27 08 00  
Fax +45 43 27 08 28  
e-mail info.mtdk@mt.com

#### France

Mettler-Toledo  
Analyse Industrielle Sarl  
30, Boulevard de Douaumont  
BP 949  
F - 75829 Paris Cedex 17  
Phone +33 1 47 37 06 00  
Fax +33 1 47 37 46 26  
e-mail mtpro-f@mt.com

#### Germany

Mettler-Toledo GmbH  
Prozeßanalytik  
Ockerweg 3  
D - 35396 Gießen  
Phone +49 641 507 333  
Fax +49 641 507 397  
e-mail prozess@mt.com

#### Great Britain

Mettler-Toledo LTD  
64 Boston Road, Beaumont Leys  
GB - Leicester LE4 1AW  
Phone +44 116 235 7070  
Fax +44 116 236 5500  
e-mail enquire.mtuk@mt.com

#### Hungary

Mettler-Toledo Kereskedelmi KFT  
Teve u. 41  
HU - 1139 Budapest  
Phone +36 1 288 40 40  
Fax +36 1 288 40 50  
e-mail mthu@axelero.hu

#### India

Mettler-Toledo India Private Limited  
Amar Hill, Saki Vihar Road  
Powai  
IN - 400 072 Mumbai  
Phone +91 22 2857 0808  
Fax +91 22 2857 5071  
e-mail sales.mtin@mt.com

#### Italy

Mettler-Toledo S.p.A.  
Via Vialba 42  
I - 20026 Novate Milanese  
Phone +39 02 333 321  
Fax +39 02 356 2973  
e-mail customercare.italia@mt.com

#### Japan

Mettler-Toledo K.K.  
Process Division  
5F Tokyo Ryutsu Center, Annex B  
6-1-1 Heiwajima, Ohta-ku  
JP - 143-0006 Tokyo  
Phone +81 3 5762 07 06  
Fax +81 3 5762 09 71  
e-mail helpdesk.ing.jp@mt.com

#### Malaysia

Mettler-Toledo (M) Sdn Bhd  
Bangunan Electroscop Holding  
Lot 8 Jalan Astaka U8/84  
Seksyen U8, Bukit Jelutong  
MY - 40150 Shah Alam Selangor  
Phone +60 3 78 45 57 73  
Fax +60 3 78 45 87 73  
e-mail  
MT-MY.CustomerSupport@mt.com

#### Mexico

Mettler-Toledo S.A. de C.V.  
Pino No. 350, Col. Sta.  
MA. Insurgentes, Col Atlampa  
MX - 06430 México D.F.  
Phone +52 55 55 47 57 00  
Fax +52 55 55 41 22 28  
e-mail mt.mexico@mt.com

#### Poland

Mettler-Toledo (Poland) Sp.z.o.o.  
ul. Poleczki 21  
PL - 02-822 Warszawa  
Phone +48 22 545 06 80  
Fax +48 22 545 06 88  
e-mail polska@mt.com

#### Russia

Mettler-Toledo Vostok ZAO  
Sretenskij Bulvar 6/1  
Office 6  
RU - 101000 Moscow  
Phone +7 495 621 92 11  
Fax +7 495 621 63 53  
+7 495 621 78 68  
e-mail inforus@mt.com

#### Singapore

Mettler-Toledo (S) Pte. Ltd.  
Block 28  
Ayer Rajah Crescent #05-01  
SG - 139959 Singapore  
Phone +65 6890 00 11  
Fax +65 6890 00 12  
+65 6890 00 13  
e-mail precision@mt.com

#### Slovakia

Mettler-Toledo s.r.o.  
Bulharska 61  
SK - 82104 Bratislava  
Phone +421 244 44 12 20  
Fax +421 244 44 12 23  
e-mail predaj@mt.com

#### Slovenia

Mettler-Toledo d.o.o.  
Peske 12  
SI - 1236 Trzin  
Phone +386 1 530 80 50  
Fax +386 1 562 17 89  
e-mail keith.racman@mt.com

#### South Korea

Mettler-Toledo (Korea) Ltd.  
Yeil Building 1 & 2 F  
124-5, YangJe-Dong  
SeCho-Ku  
KR - 137-130 Seoul  
Phone +82 2 3498 3500  
Fax +82 2 3498 3555  
e-mail Sales\_MTKR@mt.com

#### Spain

Mettler-Toledo S.A.E.  
C/ Miguel Hernández, 69-71  
ES - 08908 L'Hospitalet de Llobregat  
(Barcelona)  
Phone +34 93 223 76 00  
Fax +34 93 223 76 01  
e-mail bcn.centralita@mt.com

#### Sweden

Mettler-Toledo AB  
Virkesvägen 10  
Box 92161  
SE - 12008 Stockholm  
Phone +46 8 702 50 00  
Fax +46 8 642 45 62  
e-mail sales.mts@mt.com

#### Switzerland

Mettler-Toledo (Schweiz) AG  
Im Langacher  
Postfach  
CH - 8606 Greifensee  
Phone +41 44 944 45 45  
Fax +41 44 944 45 10  
e-mail info.ch@mt.com  
info.ola.ch@mt.com

#### Thailand

Mettler-Toledo (Thailand) Ltd.  
272 Soi Soonvijai 4  
Rama 9 Rd., Bangkapi  
Huay Kwang  
TH - 10320 Bangkok  
Phone +66 2 723 03 00  
Fax +66 2 719 64 79  
e-mail mettler@samart.co.th

#### USA/Canada

Mettler-Toledo Ingold, Inc.  
36 Middlesex Turnpike  
Bedford, MA 01730, USA  
Phone +1 781 301 8800  
Toll free +1 800 352 8763  
Fax +1 781 271 0681  
e-mail mtprou@mt.com  
ingold@mt.com



Management System  
certified according to  
ISO 9001 / ISO 14001

Subject to technical changes.  
© Mettler-Toledo AG 09/06  
Printed in Switzerland. 52 005 366

Mettler-Toledo AG, Process Analytics  
Industrie Nord, CH - 8902 Urdorf  
Tel. +41 44 729 62 11, Fax +41 44 729 66 36

[www.mt.com/pro](http://www.mt.com/pro)