

InPro® 3250 and InPro® 3250 SG Series

Low-maintenance electrodes for precise pH measurements in the chemical, biotechnology and pharmaceutical industries

Technical data



InPro 3250



InPro 3250 SG

Short description

The new low-maintenance pH electrodes InPro 3250 Series from METTLER TOLEDO are supplied complete with factory-filled, prepressurized liquid electrolyte and suited to a wide scope of applications in the biotechnology, pharmaceutical and chemical process industries. These electrodes have been designed for use at medium operating pressures and in particular where reliable and highly accurate measurements are of special importance.

The new InPro 3250 Series is available with an expanded selection of different pH-sensitive glass membranes. This guarantees the best possible measurement performance under the most diverse operating conditions, both in chemical and biotech processes. The following features make the InPro 3250 Series of pH electrodes to dependable measurement tools in demanding applications:

The series overall

- Extended operating life and precise measurement values: Any ingress of process medium into the reference system is avoided by (pre-)pressurization of the liquid electrolyte. This permanent overpressure within the electrode ensures that the diaphragm is continuously subject to cleaning by the action of the constant outflow of small amounts of electrolyte through the diaphragm.
 - Resistance to potential measurement problems at the diaphragm: The silver-ion barrier integrated in the reference system prevents contamination or plugging of the diaphragm by black silver sulfide during measurements in process media containing sulfides or amino acids.
 - More accurate measurement values due to temperature compensation through a built-in temperature sensor.
 - Measurement disturbances caused by earth potentials are avoided through employment of a “solution ground” option available with InPro 3250 SG and InPro 3253 SG. In addition, these electrodes are equipped with a small platinum contact near the tip, allowing measurement of the redox potential (ORP) as well as application of enhanced sensor diagnostic features.
 - VarioPin (VP) connector (IP68) in heavy-duty PEEK design.
 - Customized certificates for each application: MaxCert™.
- All electrodes in this Series can be employed in hazardous zones and are certified according to the EC Pressure Equipment Directive (PED).

Contents

Specifications	2
Ordering information	2/3
Recommended housings	4
Drawings	5

METTLER TOLEDO

Specifications

pH range	0...14 (InPro 3250)
pH range	0...12 (InPro 3253)
Temperature	0...100 °C (32...212 °F) in operation 0...140 °C (32...284 °F) for sterilization
Pressure resistance	up to an overpressure of 4 bar (58 psi)
Reference system	Argenthal (Ag/AgCl)
Reference electrolyte	pre-pressurized liquid electrolyte
Diaphragm	1 ceramic diaphragm
Glass membrane	special glass, highly resistant to alkaline media (InPro 3250) low temperature glass (InPro 3251) hydrofluoric acid-resistant glass (InPro 3252) sterilization-resistant glass (InPro 3253)
Connector	VarioPin (VP), IP68 Pg 13.5 thread
Platinum contact	grounding, diagnostics, redox measurement with InPro 3250SG and InPro 3253SG
EEx certification	II 1/2G EEx ia IIC/T6/T5/T4, SNCH 00 ATEX 3130X for the entire family
FM certification	IS CLI, Div1, GR ABCD
PED certification	Pressure Equipment Directive guidelines 97/23/EG, Art.3 para.3 for the entire family
EHEDG certification	InPro 3253
Biocompatibility certification	according EN ISO 10993-5 and USP 26, Chapter 87, 2003 for InPro 3253, InPro 3253SG

Ordering information

InPro 3250 for chemical processes

- Designed for use in stirred vessels, tanks, open basins and pipes in the chemical industry under harsh process conditions, and now also for up to 4 bar (58 psi) overpressure.
- Optimal measurement performance even in strong alkaline media thanks to a tried and tested special glass membrane for applications in the field of chemical processes.

pH electrodes for chemical applications

Temperature compensation Pt100	shaft length [a] in mm	Order no.
InPro3250/120/Pt100	120	52 002 547
InPro3250/225/Pt100	225	52 002 552
InPro3250/325/Pt100	325	52 002 554
InPro3250/425/Pt100	425	52 002 556
- with platinum auxiliary electrode		
InPro3250SG/120/Pt100	120	52 002 558
InPro3250SG/225/Pt100	225	52 002 560
InPro3250SG/325/Pt100	325	52 002 562
InPro3250SG/425/Pt100	425	52 002 564
Temperature compensation Pt1000		
InPro3250/120/Pt1000	120	52 002 548
InPro3250/225/Pt1000	225	52 002 553
InPro3250/325/Pt1000	325	52 002 555
InPro3250/425/Pt1000	425	52 002 557
- with platinum auxiliary electrode		
InPro3250SG/120/Pt1000	120	52 002 559
InPro3250SG/225/Pt1000	225	52 002 561
InPro3250SG/325/Pt1000	325	52 002 563
InPro3250SG/425/Pt1000	425	52 002 565

pH electrodes for applications at low temperatures		
Temperature compensation Pt100	shaft length [a] in mm	Order no.
InPro3251/120/Pt100	120	52 002 585
InPro3251/225/Pt100	225	52 002 586

pH electrodes for applications in hydrofluoric acid containing media		
Temperature compensation Pt100	shaft length [a] in mm	Order no.
InPro3252/120/Pt100	120	52 002 587
InPro3252/225/Pt100	225	52 002 588
InPro3252/250/Pt100	250	52 002 589

Ordering information InPro 3253 for biotechnological and pharmaceutical processes

- Sensor and connector are fully autoclavable or in-situ sterilizable.
- Improved measurement accuracy thanks to a specific pH-sensitive membrane glass specially developed for biotechnological and pharmaceutical processes, which minimizes shift of the zero point of the electrode during sterilization procedures.
- Designed for use in tanks, open basins or closed reactors as well as fermentation vessels at a process pressure of up to 4 bar (58 psi) overpressure.
- MaxCert™: EHEDG, 3A and biocompatibility certificate following EN ISO 10993-5, ISO 9363-1 and USP.

pH electrodes for biotechnological and pharmaceutical applications		
Temperature compensation Pt100	shaft length [a] in mm	Order no.
InPro3253/120/Pt100	120	52 002 566
InPro3253/225/Pt100	225	52 002 568
InPro3253/250/Pt100	250	52 002 570
InPro3253/325/Pt100	325	52 002 571
InPro3253/425/Pt100	425	52 002 573
InPro3253/485/Pt100	485	52 002 575
- with platinum auxiliary electrode		
InPro3253SG/120/Pt100	120	52 002 576
InPro3253SG/225/Pt100	225	52 002 578
InPro3253SG/325/Pt100	325	52 002 580
InPro3253SG/425/Pt100	425	52 002 582
Temperature compensation Pt1000	shaft length [a] in mm	Order no.
InPro3253/120/Pt1000	120	52 002 567
InPro3253/225/Pt1000	225	52 002 569
InPro3253/325/Pt1000	325	52 002 572
InPro3253/425/Pt1000	425	52 002 574
- with platinum auxiliary electrode		
InPro3253SG/120/Pt1000	120	52 002 577
InPro3253SG/225/Pt1000	225	52 002 579
InPro3253SG/325/Pt1000	325	52 002 581
InPro3253SG/425/Pt1000	425	52 002 583

Cables (open ends)			
Standard temperature (-20...80 °C/-4...176 °F)	Order no. VP6-ST/3 m (9.8 ft) 52 300 108	Order no. VP6-ST/5 m (16.4 ft) 52 300 109	Order no. VP6-ST/10 m (32.8 ft) 52 300 110
High temperature (-20...140 °C/-22...284 °F)	Order no. VP6-HT/3 m (9.8 ft) 52 300 112	Order no. VP6-HT/5 m (16.4 ft) 52 300 113	Order no. VP6-HT/10 m (32.8 ft) 52 300 114
Buffer solutions			
	1 x 250 ml	6 x 250 ml	1 x 1000 ml
Buffer pH=4.01 (red)	51 340 057	51 340 058	51 340 228
Buffer pH=7.00 (green)	51 340 059	51 340 060	51 340 229
Buffer pH=9.21 (blue)	51 300 193	51 300 194	51 340 230
Cleaning solutions			
Electrode cleaning solution	51 340 068	51 340 069	51 319 041
Diaphragm cleaning sol.	51 340 070	51 340 082	
Regeneration solution	25 ml	51 340 073	
Reactivation solution	6 x 30 ml	51 319 053	

Recommended housings

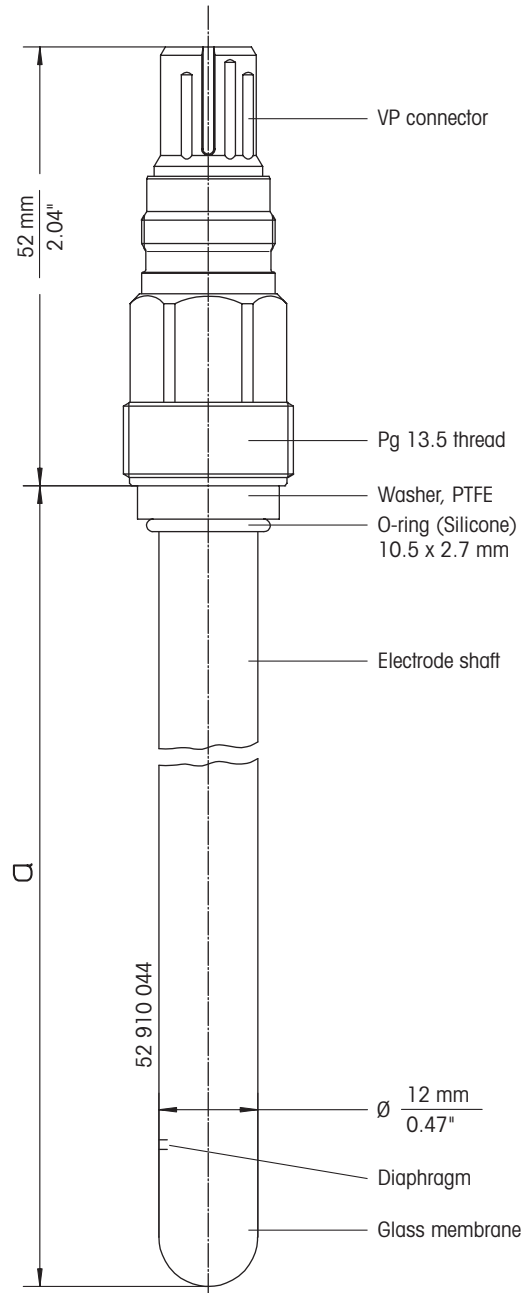
Applications areas	Chemistry	Biotechnology	
Shaft length [a]		side-entry installation	top-entry installation
120 mm	InFit 761-25-CP InFit 762 e	InFit 761-25BT(B)/70 InFit 761-25CIP/70	–
225 mm	InTrac 777 e-SL/100 InTrac 777 e-SPR/100	InFit 761-25BT(B)/175	InFit 761-19BT/175
325 mm	–	InTrac 797 e/100	InFit 761-19BT/275
425 mm	InTrac 777 e-SL/200 InTrac 777 e-SPR/200	–	InFit 761-19BT/375

Transmitters

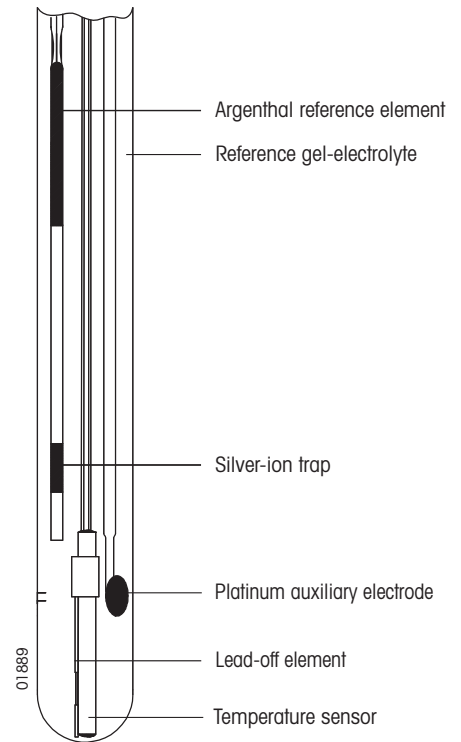
A wide range of transmitters can be offered to complete the METTLER TOLEDO measurement system, including a 4 wire version for universal AC/DC power supply, or alternatively in 2-wire versions, with HART®, FOUNDATION™ Fieldbus or Profibus® communication, of standard or explosion-proof (EEx) design.

Drawings

InPro 3250



InPro 3250 SG



Sales and Service:

Australia

Mettler-Toledo Ltd.
220 Turner Street
Port Melbourne
AUS - 3207 Melbourne/VIC
Phone +61 1300 659 761
Fax +61 3 9645 3935
e-mail info.mtaus@mt.com

Austria

Mettler-Toledo Ges.m.b.H.
Südrandstraße 17
A-1230 Wien
Phone +43 1 607 43 56
Fax +43 1 604 28 80
e-mail infoprocess.mtat@mt.com

Brazil

Mettler-Toledo Ind. e Com. Ltda.
Alameda Araguaia, 451
Alphaville
BR-06455-000 Barueri/SP
Phone +55 11 4166 7444
Fax +55 11 4166 7401
e-mail mettler@mettler.com.br
service@mettler.com.br

China

Mettler-Toledo Instruments
(Shanghai) Co. Ltd.
589 Gui Ping Road
Cao He Jing
CN-200233 Shanghai
Phone +86 21 64 85 04 35
Fax +86 21 64 85 33 51
e-mail mtcs@public.sta.net.cn

Croatia

Mettler-Toledo d.o.o.
Mandlova 3
HR-10000 Zagreb
Phone +385 1 292 06 33
Fax +385 1 295 81 40
e-mail mt.zagreb@mt.com

Czech Republic

Mettler-Toledo s.r.o.
Trebohosticka 2283/2
CZ-100 00 Praha 10
Phone +420 2 72 123 150
Fax +420 2 72 123 170
e-mail sales.mtcz@mt.com

Denmark

Mettler-Toledo A/S
Naverland 8
DK-2600 Glostrup
Phone +45 43 27 08 00
Fax +45 43 27 08 28
e-mail info.mtdk@mt.com

France

Mettler-Toledo
Analyse Industrielle S.A.S.
30, Boulevard de Douaumont
BP 949
F-75829 Paris Cedex 17
Phone +33 1 47 37 06 00
Fax +33 1 47 37 46 26
e-mail mtpro-f@mt.com

Germany

Mettler-Toledo GmbH
Prozeßanalytik
Ockerweg 3
D-35396 Gießen
Phone +49 641 507 333
Fax +49 641 507 397
e-mail prozess@mt.com

Great Britain

Mettler-Toledo LTD
64 Boston Road, Beaumont Leys
GB - Leicester LE4 1AW
Phone +44 116 235 7070
Fax +44 116 236 5500
e-mail enquire.mtuk@mt.com

Hungary

Mettler-Toledo Kereskedelmi KFT
Teve u. 41
HU-1139 Budapest
Phone +36 1 288 40 40
Fax +36 1 288 40 50
e-mail mthu@t-online.hu

India

Mettler-Toledo India Private Limited
Amar Hill, Saki Vihar Road
Powai
IN-400 072 Mumbai
Phone +91 22 2803 1111
Fax +91 22 2857 5071
e-mail sales.mtin@mt.com

Italy

Mettler-Toledo S.p.A.
Via Vialba 42
I-20026 Novate Milanese
Phone +39 02 333 321
Fax +39 02 356 2973
e-mail
customercare.italia@mt.com

Japan

Mettler-Toledo K.K.
Process Division
4F Izumikan Sanbancho Bldg.
3-8 Sanbancho
Chiyoda-ku
JP-102-0075 Tokyo
Tel. +81 3 3222 7103
Fax +81 3 3222 7118
e-mail helpdesk.ing.jp@mt.com

Malaysia

Mettler-Toledo (M) Sdn Bhd
Bangunan Electrocon Holding, U 1-01
Lot 8 Jalan Astaka U8/84
Seksyen U8, Bukit Jelutong
MY-40150 Shah Alam Selangor
Phone +60 3 78 44 58 88
Fax +60 3 78 45 87 73
e-mail
MT-MY.CustomerSupport@mt.com

Mexico

Mettler-Toledo S.A. de C.V.
Pino No. 350, Col. Sta.
MA. Insurgentes, Col Atlampa
MX-06430 México D.F.
Phone +52 55 55 47 57 00
Fax +52 55 55 41 22 28
e-mail mt.mexico@mt.com

Poland

Mettler-Toledo (Poland) Sp.z.o.o.
ul. Poleczki 21
PL-02-822 Warszawa
Phone +48 22 545 06 80
Fax +48 22 545 06 88
e-mail polska@mt.com

Russia

Mettler-Toledo Vostok ZAO
Sretenskij Bulvar 6/1
Office 6
RU-101000 Moscow
Phone +7 495 651 98 86
Fax +7 495 621 63 53
+7 495 621 78 68
e-mail inforus@mt.com

Singapore

Mettler-Toledo (S) Pte. Ltd.
Block 28
Ayer Rajah Crescent #05-01
SG-139959 Singapore
Phone +65 6890 00 11
Fax +65 6890 00 12
+65 6890 00 13
e-mail precision@mt.com

Slovakia

Mettler-Toledo s.r.o.
Hattalova 12/A
SK-831 03 Bratislava
Phone +421 2 4444 12 20-2
Fax +421 2 4444 12 23
e-mail predaj@mt.com

Slovenia

Mettler-Toledo d.o.o.
Peske 12
SI-1236 Trzin
Phone +386 1 530 80 50
Fax +386 1 562 17 89
e-mail keith.racman@mt.com

South Korea

Mettler-Toledo (Korea) Ltd.
Yeil Building 1 & 2 F
124-5, YangJe-Dong
SeCho-Ku
KR-137-130 Seoul
Phone +82 2 3498 3500
Fax +82 2 3498 3555
e-mail Sales_MTKR@mt.com

Spain

Mettler-Toledo S.A.E.
C/Miguel Hernández, 69-71
ES-08908 L'Hospitalet de Llobregat
(Barcelona)
Phone +34 93 223 76 00
Fax +34 93 223 76 01
e-mail bcn.centralita@mt.com

Sweden

Mettler-Toledo AB
Virkesvägen 10
Box 92161
SE-12008 Stockholm
Phone +46 8 702 50 00
Fax +46 8 642 45 62
e-mail info.se@mt.com

Switzerland

Mettler-Toledo (Schweiz) GmbH
Im Langacher
Postfach
CH-8606 Greifensee
Phone +41 44 944 45 45
Fax +41 44 944 45 10
e-mail salesola.ch@mt.com

Thailand

Mettler-Toledo (Thailand) Ltd.
272 Soi Soonvijai 4
Rama 9 Rd., Bangkapi
Huay Kwang
TH-10320 Bangkok
Phone +66 2 723 03 00
Fax +66 2 719 64 79
e-mail
MT-TH.CustomerSupport@mt.com

USA/Canada

Mettler-Toledo Ingold, Inc.
36 Middlesex Turnpike
Bedford, MA 01730, USA
Phone +1 781 301 8800
Freephone +1 800 352 8763
Fax +1 781 271 0681
e-mail mtprous@mt.com
ingold@mt.com



Management System
certified according to
ISO 9001 / ISO 14001

Subject to technical changes.
© Mettler-Toledo AG
02/09 Printed in Switzerland. 52 002 639

Mettler-Toledo AG, Process Analytics
Im Hackacker 15, CH-8902 Urdorf
Phone +41 44 729 62 11, Fax +41 44 729 66 36

www.mt.com/pro